

Motor and Pump Assembly

## Spareparts MASTER HEATERS

MODEL 35 CEH 35,000 Btu/Hr Model

## PARTS LIST

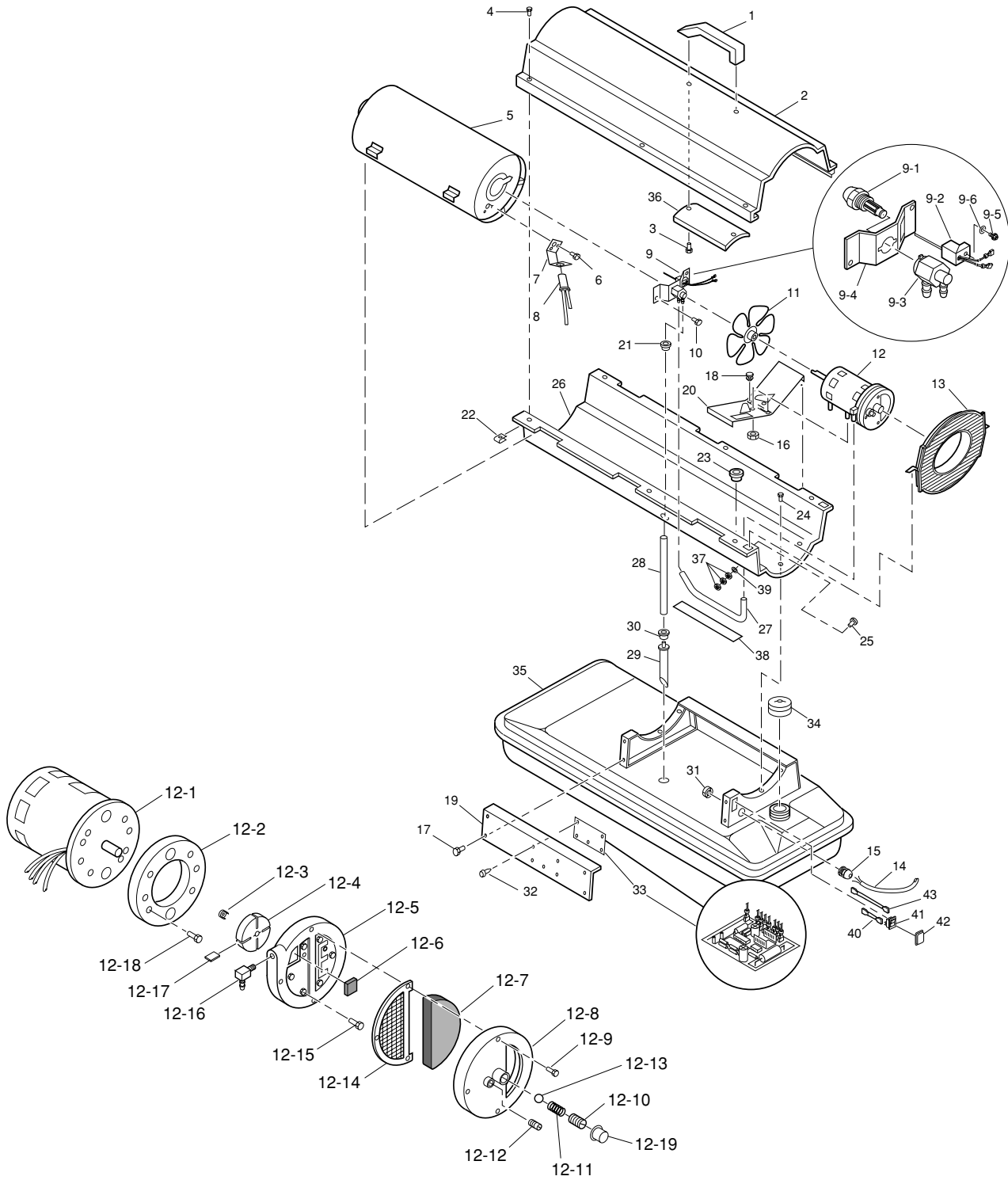
Key No.	Part Number	Description	Qty.	Key No.	Part Number	Description	Qty.
1	4103.784	Handle	1	16	4108.486	Hex Lock Nut, 1/4-20	2
2	4103.842	Upper Shell	1	17	4110.124	Screw/Lockwasher, 1/2"	4
3	4108.510	Screw	2	18	4150.553	Rubber Bumper	2
4	4109.590	Screw/Lockwasher	6	19	4100.635	Side Cover	1
5	4100.638	Combustion Chamber	1	20	4110.187	Motor Bracket	1
6	4103.529	Screw, #6-32 x 3/8"	2	21	4101.151	Bushing	1
7	4100.657	Photocell Bracket	1	22	4104.170	Clip Nut	6
8	4103.590	Photocell Assembly	1	23	4101.152	Bushing	1
9	**	Burner Strap Assembly	1	24	4110.124	Screw/Lockwasher, 1/2"	6
9-1	4100.648	Nozzle Assembly	1	25	4100.674	Screw	1
9-2	4110.516	Ignitor Kit w/ Ignition Control	1	26	4100.636	Lower Shell	1
			1	27	4104.147	Rubber Airline	1
9-3	4100.664	Nozzle Adapter	1	28	4109.567	Fuel Line	1
9-4	4100.653	Nozzle Adapter Bracket	1	29	4109.575	Fuel Filter	1
9-5	4100.669	Screw, #6-32 x 7/8"	1	30	4100.541	Rubber Bushing	1
9-6	4100.660	Belleville Washer	1	31	4100.656	Nylon Locknut	1
10	4110.124	Screw/Lockwasherr	2	32	4100.654	PCB Support	5
11	4100.662	Fan	1	33	4110.516	Ignition Control w/ Ignitor	1
12	**	Motor and Pump Assembly	1	34	4103.891	Fuel Cap (Includes Gasket)	1
12-1	4106.098	Motor	1	35	4100.642*	Fuel Tank	1
12-2	4101.532	Pump Body	1	36	4100.671	Shell Heat-Shield	1
12-3	4108.635	Insert	1	37	4100.673	Nut	3
12-4	4103.441	Rotor	1	38	4110.075	Vinyl Foam Gasket	1
12-5	4109.724	Pump End Cover	1	39	4100.527	Lockwasher	1
12-6	4109.736	Lint Filter	1	40	S/R	Wire Assembly (Brown)	1
12-7	4109.690	Intake Filter	1	41	4100.667	ON/OFF Switch	1
12-8	4109.674	End Cover	1	42	4104.336	Switch Cover	1
12-9	4108.528	Screw, #10-32 x 1"	3	43	S/R	Wire Assembly (White)	1
12-10	4102.133	Adjusting Screw	1				
12-11	4102.141	Pressure Relief Spring	1				
12-12	4102.125	Plug	1				
12-13	4108.379	Steel Ball, 1/4" Diameter	1				
12-14	4109.708	Output Filter	1				
12-15	4108.536	Screw #10-32 x 1 1/8"	6				
12-16	4101.666	Blade	4				
12-18	4108.590	Screw, #10-32 x 3/4"	2				
12-19	4100.666	Plastic Cap	1				
13	4103.685	Fan Guard	1		4105.292	Filler Neck Screen	1
14	S/R	Power Cord	1		S/R	Wire Tie	1
15	4150.528	Strain Relief Bushing	1		4110.138	Tradename Decal	2
					S/R	Decal Package	1

**PARTS AVAILABLE - NOT SHOWN**

S/R = Parts Available by Special Request Only

N/A = Parts Not Available

*This list contains replaceable parts used in your heater. When ordering parts, be sure to provide the correct model and serial numbers (from the model plate), then the part number and description of the desired part.*



Motor and Pump Assembly

**Spareparts MASTER HEATERS**

**MODEL 70 CEH 70,000 Btu/Hr Model**

**PARTS LIST**

<b>Key No.</b>	<b>Part Number</b>	<b>Description</b>	<b>Qty.</b>	<b>Key No.</b>	<b>Part Number</b>	<b>Description</b>	<b>Qty.</b>
1	4103.784	Handle	1	16	4108.486	Hex Lock Nut, 1/4-20	2
2	4103.842	Upper Shell	1	17	4110.124	Screw/Lockwasher, 1/2"	4
3	4108.510	Screw	2	18	4150.553	Rubber Bumper	2
4	4109.590	Screw/Lockwasher	6	19	4100.635	Side Cover	1
5	4100.639	Combustion Chamber	1	20	4110.187	Motor Bracket	1
6	4103.529	Screw, #6-32 x 3/8"	2	21	4101.151	Bushing	1
7	4100.657	Photocell Bracket	1	22	4104.170	Clip Nut	6
8	4103.590	Photocell Assembly	1	23	4101.152	Bushing	1
9	**	Burner Strap Assembly	1	24	4110.124	Screw/Lockwasher, 1/2"	6
9-1	4100.647	Nozzle Assembly	1	25	4100.674	Screw	1
9-2	4110.516	Ignitor Kit w/ Ignition Control	1	26	4100.636	Lower Shell	1
9-3	4100.664	Nozzle Adapter	1	27	4104.147	Rubber Airline	1
9-4	4100.653	Nozzle Adapter Bracket	1	28	4109.567	Fuel Line	1
9-5	4100.669	Screw, #6-32 x 7/8"	1	29	4103.875	Fuel Filter	1
9-6	4100.660	Belleville Washer	1	30	4100.541	Rubber Bushing	1
10	4110.124	Screw/Lockwasherr	2	31	4100.656	Nylon Locknut	1
11	4100.662	Fan	1	32	4100.654	PCB Support	5
12	**	Motor and Pump Assembly	1	33	4110.516	Ignition Control w/ Ignitor	1
12-1	4110.079	Motor	1	34	4103.891	Fuel Cap (Includes Gasket)	1
12-2	4101.317	Pump Body	1	35	4110.140	Fuel Tank	1
12-3	4108.635	Insert	1	36	4100.671	Shell Heat-Shield	1
12-4	4108.627	Rotor	1	37	4100.673	Nut	3
12-5	4109.724	Pump End Cover	1	38	S/R	Vinyl Foam Gasket	1
12-6	4109.716	Lint Filter	1	39	4100.527	Lockwasher	1
12-7	4109.690	Intake Filter	1	40	S/R	Wire Assembly (Brown)	1
12-8	4109.674	End Cover	1	41	4100.667	ON/OFF Switch	1
12-9	4108.528	Screw, #10-32 x 1"	3	42	4104.336	Switch Cover	1
12-10	4102.133	Adjusting Screw	1	43	S/R	Wire Assembly (White)	1
12-11	4102.141	Pressure Relief Spring	1				
12-12	4102.125	Plug	1				
12-13	4108.379	Steel Ball, 1/4" Diameter	1				
12-14	4109.708	Output Filter	1				
12-15	4108.528	Screw #10-32 x 1"	6				
12-16	4100.661	Nylon Elbow, 90	1				
12-17	4101.200	Blade	4				
12-18	4108.588	Screw, #10-32 x 5/8"	2				
12-19	4100.666	Plastic Cap	1				
13	4103.685	Fan Guard	1		4105.292	Filler Neck Screen 1	
14	S/R	Power Cord	1		4110.049	Wire Tie 1	
15	4150.528	Strain Relief Bushing	1		4110.138	Tradename Decal 2	
					S/R	Decal Package 1	

**PARTS AVAILABLE - NOT SHOWN**

S/R = Parts Available by Special Request Only

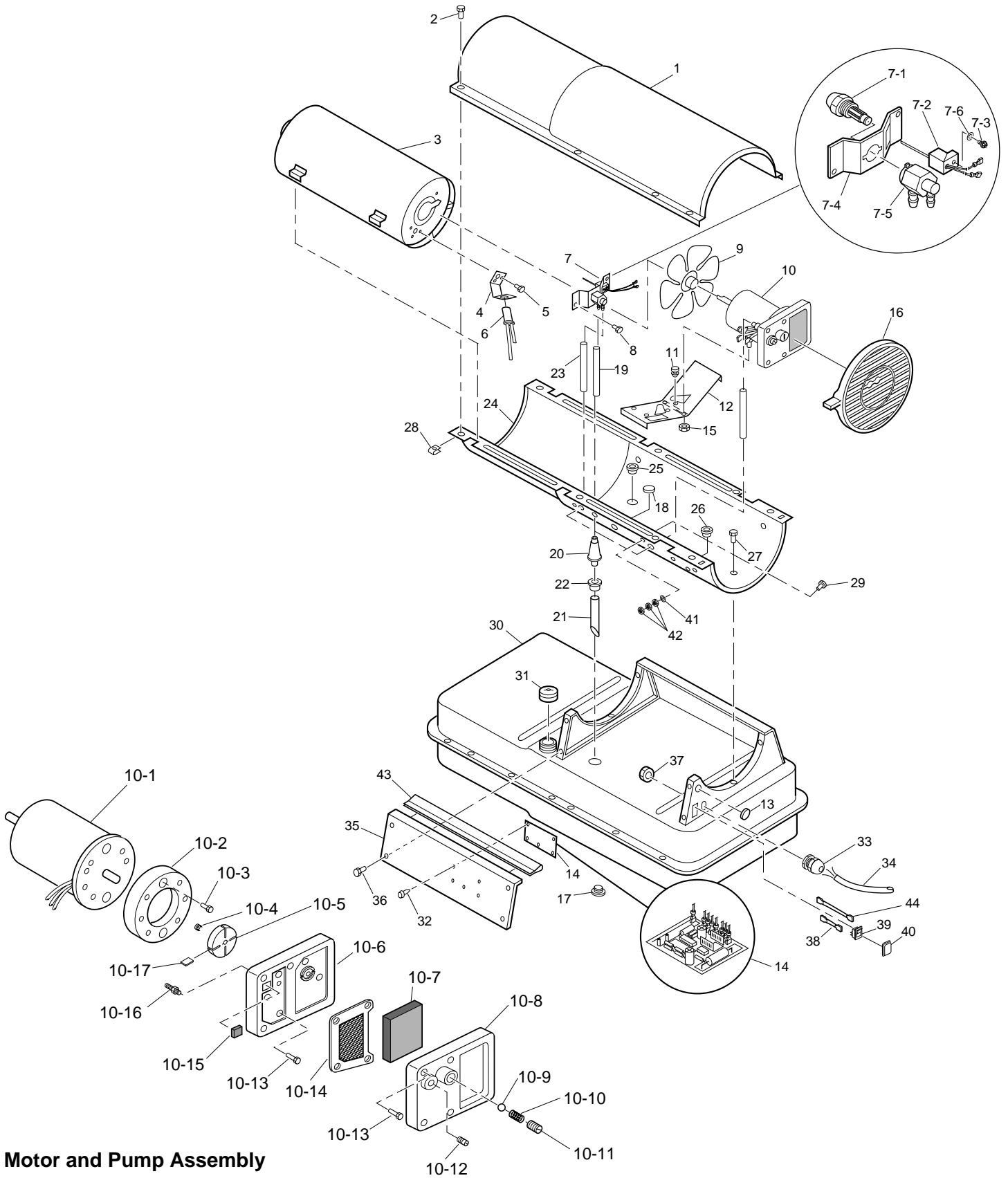
N/A = Parts Not Available

*This list contains replaceable parts used in your heater. When ordering parts, be sure to provide the correct model and serial numbers (from the model plate), then the part number and description of the desired part.*

# Spareparts MASTER HEATERS

MODEL 100 CEH 100,000 Btu/Hr Model

## ILLUSTRATED PARTS BREAKDOWN



Motor and Pump Assembly

**Spareparts MASTER HEATERS**

**MODEL 100 CEH 100,000 Btu/Hr Model**

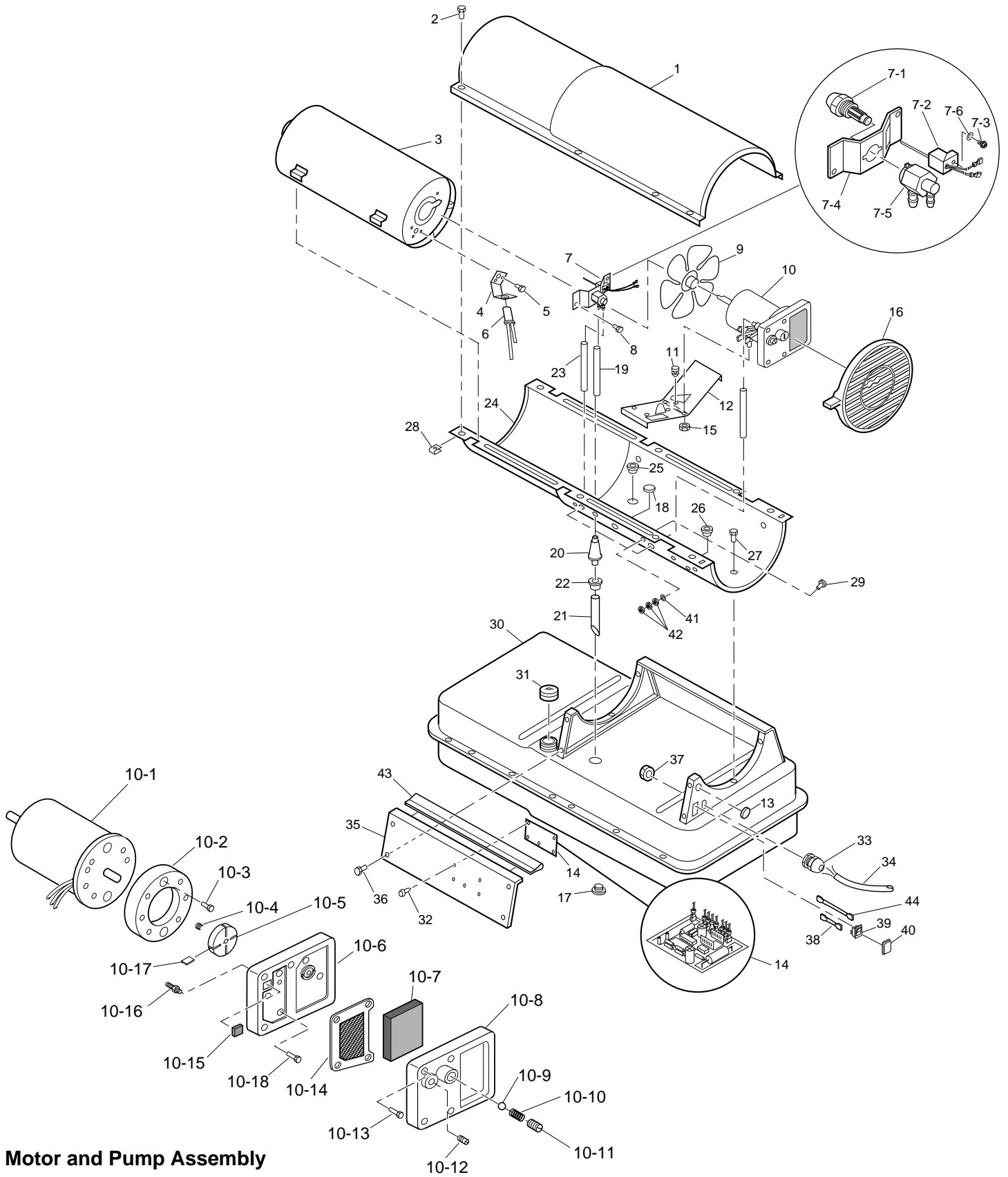
**PARTS LIST**

<b>Key No.</b>	<b>Part Number</b>	<b>Description</b>	<b>Qty.</b>	<b>Key No.</b>	<b>Part Number</b>	<b>Description</b>	<b>Qty.</b>
1	4104.006	Upper Shell	1	18	4110.070	Button Plug	1
2	4109.590	Screw/Lockwasher, 1/2"	8	19	4100.672	Fuel Line	1
3	4100.640	Combustion Chamber	1	20	4100.630	Fuel Filter	1
4	4100.658	Photocell Bracket	1	21	4110.147	Fuel Line Tube	1
5	4103.529	Screw	2	22	4100.541	Rubber Bushing	1
6	4103.590	Photocell Assembly	1	23	4104.156	Airline	1
7	**	Burner Strap Assembly	1	24	4100.637	Lower Shell	1
7-1	4100.645	Nozzle Assembly	1	25	4101.112	Bushing	1
7-2	4110.516	Ignitor Kit w/Ignition Control	1	26	4101.232	Bushing	1
7-3	4100.669	Screw, #6-32 x 7/8"	1	27	4110.124	Screw/Lockwasher, 1/2"	6
7-4	4100.653	Nozzle Adapter Bracket	1	28	4104.170	Clip Nut	8
7-5	4100.663	Nozzle Adapter	1	29	4100.674	Screw,	1
7-6	4100.660	Belleville Washer	1	30	4105.298	Fuel Tank	1
8	4110.124	Screw/Lockwasher, 1/2"	2	31	4103.891	Fuel Cap (Includes Gasket)	1
9	4105.062	Fan	1	32	4100.654	P.C. Board Support	5
10	**	Motor and Pump Assembly	1	33	4150.528	Strain Relief Bushing	1
10-1	4110.080	Motor	1	34	S/R	Power Cord	1
10-2	4101.317	Pump Body	1	35	4100.670	Side Cover	1
10-3	4108.588	Screw, #10-32 x 5/8"	2	36	4110.124	Screw/Lockwasher, 1/2"	4
10-4	4108.635	Rotor Insert	1	37	4100.656	Nylon Locknut	1
10-5	4108.627	Pump Rotor	1	38	S/R	Wire Assembly (Brown)	1
10-6	4101.325	Pump End Cover	1	39	4100.667	ON/OFF Switch	1
10-7	4101.358	Intake Filter	1	40	4104.336	Switch Cover	1
10-8	4108.643	End Cover	1	41	4100.527	Lockwasher, #10	1
10-9	4108.379	Steel Ball, 1/4" Diameter	1	42	4100.673	Nut	3
10-10	4102.141	Relief Spring	1	43	4103.850	Edge Liner	1
10-11	4102.133	Adjusting Screw	1	44	S/R	Wire Assembly (White)	1
10-12	4102.125	Plug	1				
10-13	4108.528	Screw, #10-32 x 1"	10				
10-14	4101.341	Output Filter	1				
10-15	4101.333	Lint Filter	1				
10-16	4104.118	Barb Fitting	1				
10-17	4101.200	Blade	4				
11	4150.553	Rubber Bumper	2				
12	4110.186	Motor Mounting Bracket	1				
12	4100.649	Button Plug	1				
14	4110.516	Igniton Control w/Ignitor	1		4105.292	Filler Neck Screen	1
15	4108.486	Hex Lock Nut, 1/4-20	2		4110.049	Wire Tie	1
16	4103.695	Fan Guard	1		4110.138	Tradename Decal	2
17	4100.632	Drain Plug (Includes "o" Ring)	1		S/R	Decal Package	1
				<b>PARTS AVAILABLE - NOT SHOWN</b>			

S/R = Parts Available by Special Request Only

N/A = Parts Not Available

*This list contains replaceable parts used in your heater. When ordering parts, be sure to provide the correct model and serial numbers (from the model plate), then the part number and description of the desired part.*



## Spareparts MASTER HEATERS

MODEL 150 CEH 150,000 Btu/Hr Model

## PARTS LIST

Key No.	Part Number	Description	Qty.	Key No.	Part Number	Description	Qty.
1	4104.006	Upper Shell	1	16	4103.695	Fan Guard	1
2	4109.590	Screw/Lockwasher, 1/2"	8	17	4100.632	Drain Plug	
3	4100.641	Combustion Chamber	1			(Includes "o" Ring)	1
4	4100.659	Photocell Bracket	1	18	4110.070	Button Plug	1
5	4103.529	Screw	2	19	4100.672	Fuel Line	1
6	4103.590	Photocell Assembly	1	20	4100.630	Fuel Filter	1
7	**	Burner Strap Assembly	1	21	4101.262	Fuel Line Tube	1
7-1	4100.646	Nozzle Assembly	1	22	4100.541	Rubber Bushing	1
7-2	4110.516	Ignitor Kit w/Ignition Control	1	23	4104.156	Airline	1
			1	24	4100.637	Lower Shell	1
7-3	4100.669	Screw, #6-32 x 7/8"	1	25	4101.112	Bushing	1
7-4	4100.653	Nozzle Adapter Bracket	1	26	4101.232	Bushing	1
7-5	4100.663	Nozzle Adapter	1	27	4110.124	Screw/Lockwasher, 1/2"	6
7-6	4100.660	Belleville Washer	1	28	4104.170	Clip Nut	8
8	4110.124	Screw/Lockwasher, 1/2"	2	29	4100.674	Screw,	1
9	4105.062	Fan	1	30	4105.299	Fuel Tank	1
10	**	Motor and Pump Assembly	1	31	4103.891	Fuel Cap (Includes Gasket)	1
10-1	4110.080	Motor	1	32	4100.654	P.C. Board Support	5
10-2	4101.532	Pump Body	1	33	4150.528	Strain Relief Bushing	1
10-3	4108.590	Screw, #10-32 x 3/4"	2	34	S/R	Power Cord	1
10-4	4108.635	Rotor Insert	1	35	4100.670	Side Cover	1
10-5	4103.441	Pump Rotor	1	36	4110.124	Screw/Lockwasher, 1/2"	4
10-6	4101.325	Pump End Cover	1	37	4100.656	Nylon Locknut	1
10-7	4101.358	Intake Filter	1	38	S/R	Wire Assembly (Brown)	1
10-8	4108.643	End Cover	1	39	4100.667	ON/OFF Switch	1
10-9	4108.379	Steel Ball, 1/4" Diameter	1	40	4104.336	Switch Cover	1
10-10	4102.141	Relief Spring	1	41	4100.527	Lockwasher, #10	1
10-11	4102.133	Adjusting Screw	1	42	4100.673	Nut	3
10-12	4102.125	Plug	1	43	4103.850	Edge Liner	1
10-13	4108.528	Screw, #10-32 x 1"	4	44	S/R	Wire Assembly (White)	1
10-14	4101.341	Output Filter	1				
10-15	4101.333	Lint Filter	1				
10-16	4104.118	Barb Fitting	1				
10-17	4101.666	Blade	4				
10-18	4108.536	Screw, #10-32 x 1 1/8"	6	<b>PARTS AVAILABLE - NOT SHOWN</b>			
11	4150.553	Rubber Bumper	2				
12	4110.186	Motor Mounting Bracket	1		4105.292	Filler Neck Screen	1
13	4100.649	Button Plug	1		S/R	Wire Tie	1
14	4110.516	Ignition Control w/Ignitor	1		4110.138	Tradename Decal	2
15	4108.486	Hex Lock Nut, 1/4-20	2		S/R	Decal Package	1.

S/R = Parts Available by Special Request Only

N/A = Parts Not Available

*This list contains replaceable parts used in your heater. When ordering parts, be sure to provide the correct model and serial numbers (from the model plate), then the part number and description of the desired part.*