

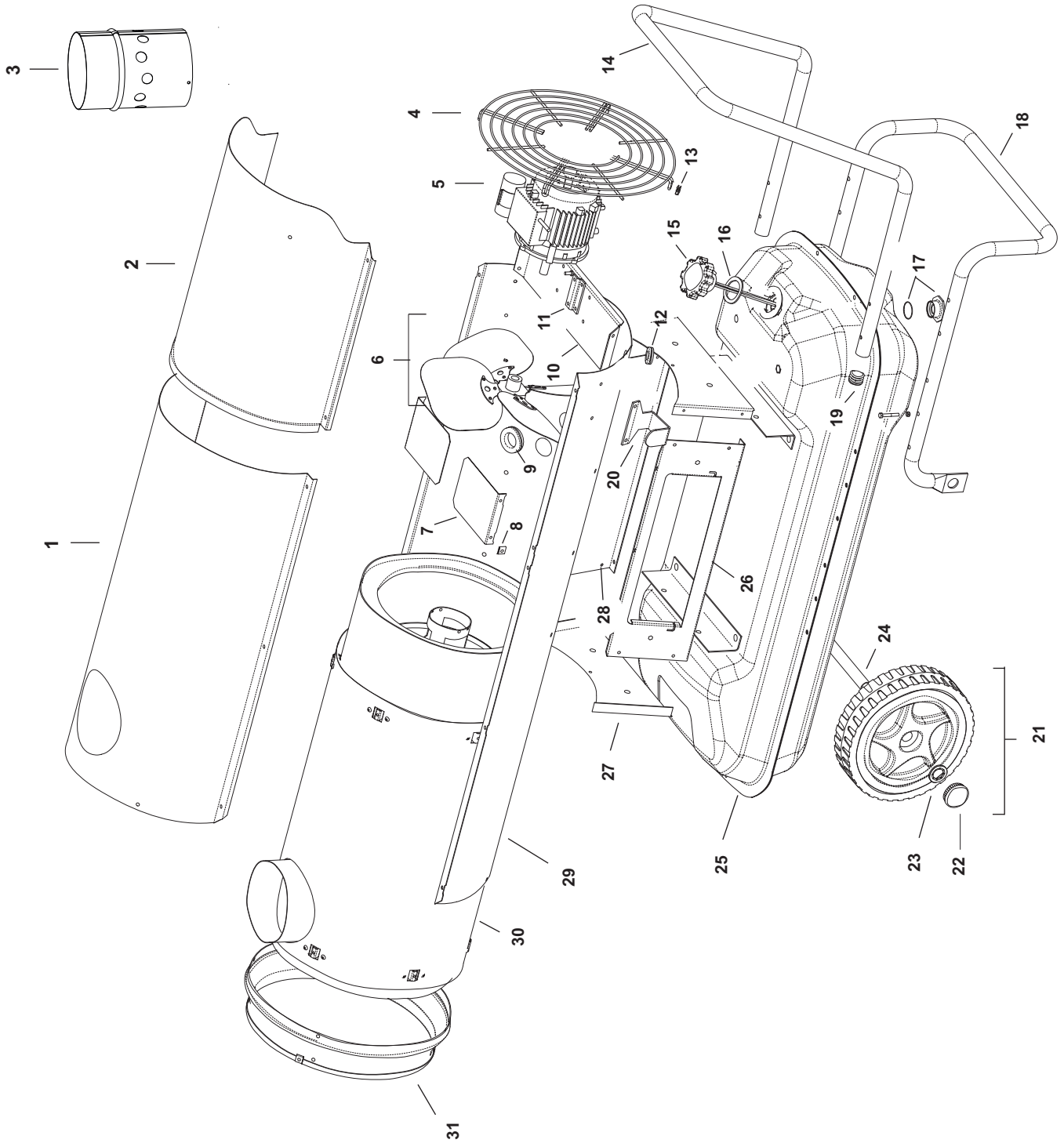
MODEL BV170 E

UNIT 1

ILLUSTRATED PARTS BREAKDOWN

From Serial Number: 30200331

Edizione 2010
Rev. A



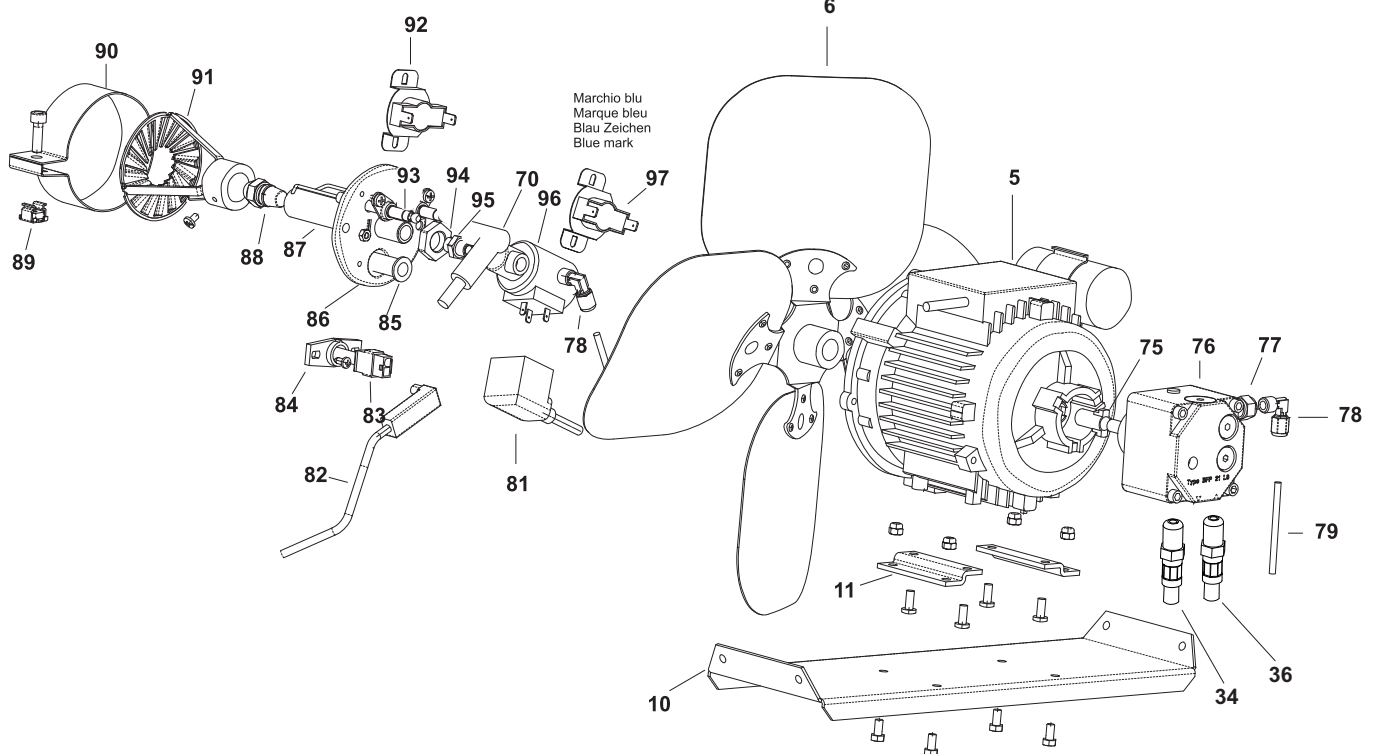
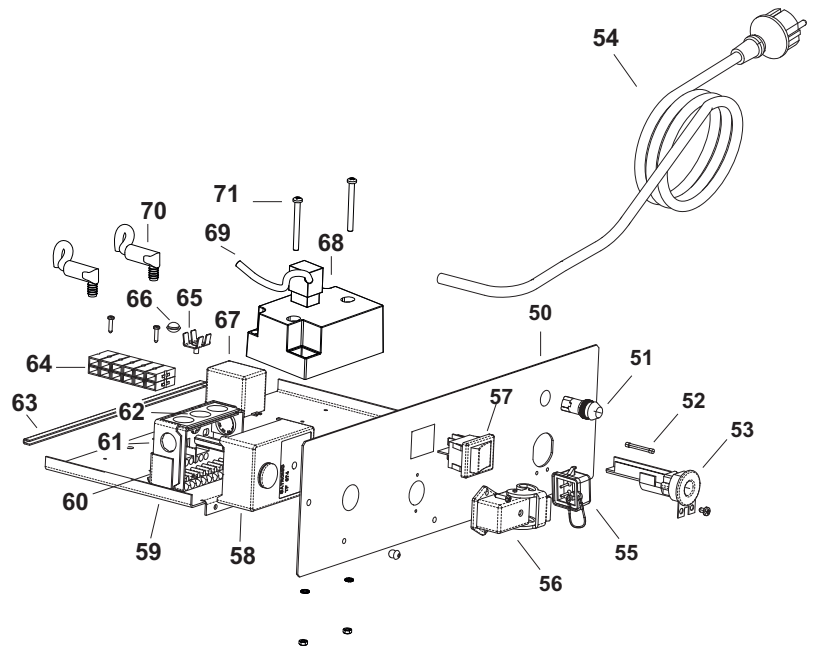
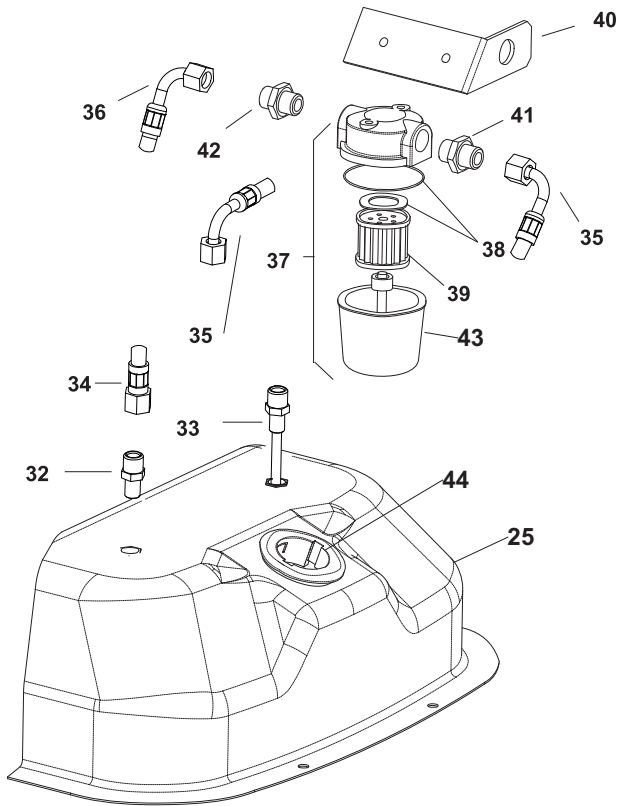
MODEL BV170 E

UNIT 2

ILLUSTRATED PARTS BREAKDOWN

From Serial Number: 30200331

Edizione 2010
Rev. A



MODEL BV 170

Pos.	Code NR	Description
1	4032.546	UPPER BODY
2	4032.548	UPPER BODY MOBILE
3	4032.534	CHIMNEY
4	4032.557	INLET GRILLE
5	4032.594	MOTOR 2P 230V/50 IP43
6	4032.593	FAN
7	4032.554	AIR FLAP
8	4104.170	CLIP NUT
9	4111.056	PROTECTION CLABLE
10	4032.555	MOTOR FLANGE
11	4032.519	MOTOR FLANGE SUPPORT
12	4160.646	PROTECTION CLABLE
13	4111.241	ELASTIC PLATE
14	4032.568	HANDLE FRAME
15	4032.475	FUEL LEVEL PROBE
16	4032.537	TANK PLUG SEAL
17	4100.632	DRAIN PLUG
18	4032.564	FOOT FRAME
19	4111.057	PLUG
20	4032.536	POWER CORD HOOK
21	4032.094	WHEEL
22	4111.480	WHEEL PLUG
23	4111.072	WHEEL HOLDER
24	4032.566	AXLE
25	4032.543	FUEL TANK
26	4032.558	ELECTR. COMPONENTS DRAWER PANEL
27	4032.562	BASE
28	4032.560	SIDE PANEL
29	4032.550	LOWER BODY
30	4032.541	COMBUSTION CHAMBER
31	4032.544	OUTLET CONE
32	4031.068	NIPPLES
33	4031.067	PIPE CONNECTION 1/4"
34	4031.062	FUEL PIPE PUMP-TANK
35	4031.063	FUEL PIPE TANK-FILTER
36	4031.061	FUEL PIPE FILTER-PUMP
37	4031.070	FILTER WITH CARTIDGE 3/8"
38	4111.116	OR KIT FILTER
39	4031.015	FILTER CARTIDGE
40	4032.437	FILTER SUPPORT
41	4031.064	DOUBLE SCREW
42	4117.049	DOUBLE SCREW
43	4031.180	FILTER HOUSING
44	4032.472	NECK PLASTIC FILLER
50	4032.446	ELECTR. COMPONENTS DRAWER
51	4117.058	PILOT LAMP 230V
52	4111.040	FUSE (6,3X32) 10A

MODEL BV 170

Pos.	Code NR	Description
53	4111.038	CABLE FASTENER
54	4111.153	POWER CORD
55	4162.467	CAP FOR THERMOSTAT SOCKET
56	4111.119	THERMOSTAT SOCKET
57	4160.637	SWITCH
58	4110.968	CONTROL BOX
59	4032.448	ELECTR. COMPONENTS BASE
60	4032.499	CONTROL BOX SUPPORT
61	4110.969	CONTROL BOX BASE
62	4110.967	PG PLATE
63	4110.155	EDGE LINER
64	4111.033	TERMINAL BOARD
65	4160.639	POP RIVET WITH TERMIN. 4 WAY
66	4032.450	PLASTIC PIN
67	4111.032	RELAY FINDER
68	4031.541	TRANSFORMER
69	4110.491	TRANSFORMER POWER CORD
70	4110.490	H.T. CABLE
71	4160.421	M4 SCREW
75	4111.081	COUPLING SIMEL
76	4032.093	PUMP DANFOSS
77	4161.501	NUT FOR BICONE 1/8"
78	4161.140	CONNECTION 90° 1/8"
79	4111.049	OIL SUPPLY PIPE
81	4032.110	POWER CORD SOLENOID SPOOL
82	4110.970	PHOTOCELL CONN. CABLE
83	4110.966	PHOTOCELL
84	4111.076	PHOTOCELL BLOCK BRACKET
85	4032.406	PHOTOCELL SUPPORT
86	4032.574	BURNER FLANGE
87	4032.403	NOZZLE SUPPORT
88	4031.025	NOZZLE 1,00 GHP 80°
89	4032.454	M6 NUT
90	4032.545	AIR REGULATION FLAP
91	4032.570	TURBO DISC
92	4031.045	FAN THERMOSTAT
93	4031.095	ELECTRODE
94	4032.407	CONN. STRAIGHT M14X6
95	4160.968	CONN. STRAIGHT 1/8"
96	4102.535	SOLENOID SPOOL 230V/50Hz
97	4031.047	LIMIT THERMOSTAT