

Motor and Pump Assembly

## Spareparts MASTER HEATERS

MODEL 35 CEA 35,000 Btu/Hr Model

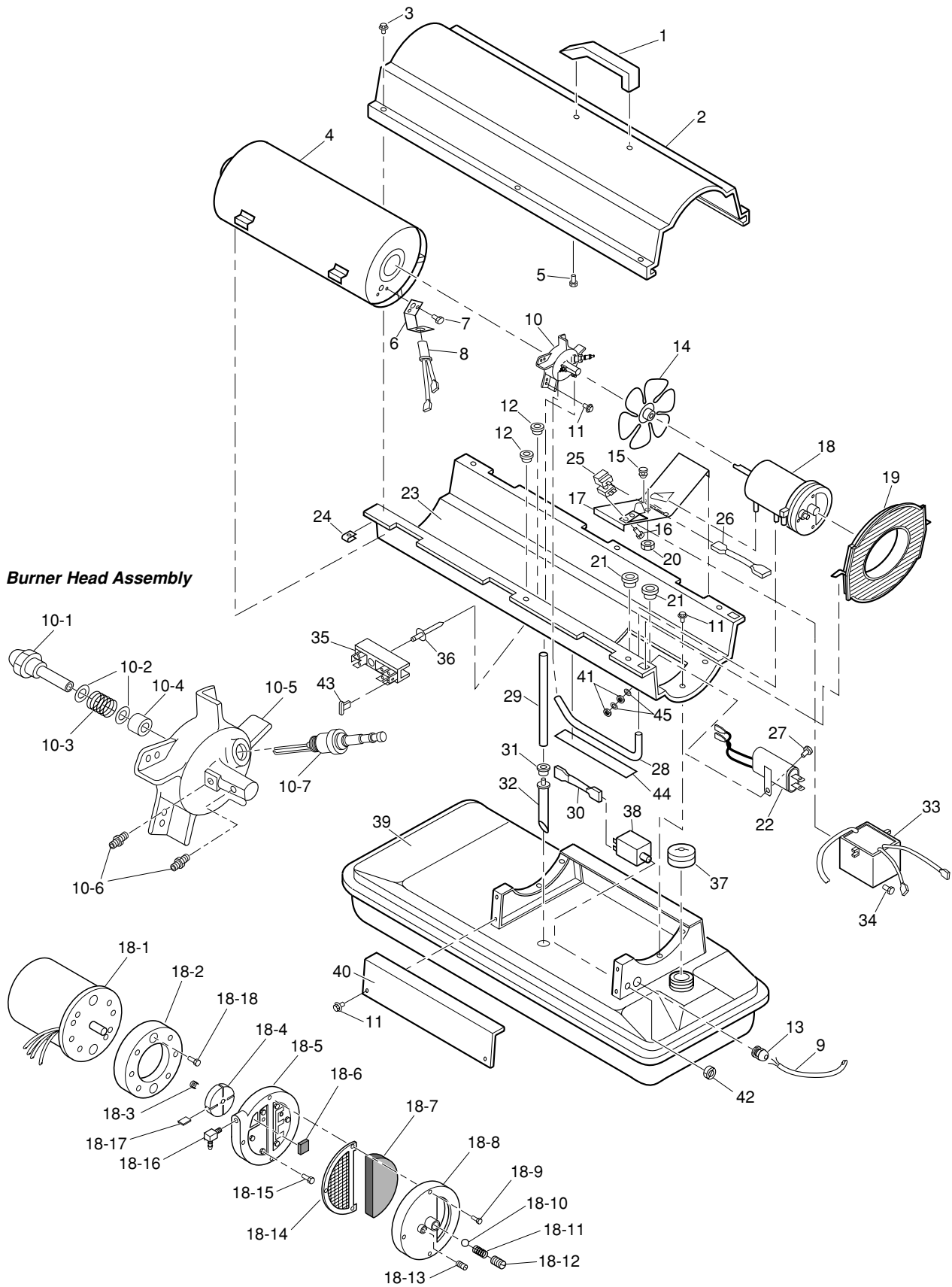
## PARTS LIST

| Key No. | Part Number | Description               | Qty. | Key No. | Part Number | Description            | Qty. |
|---------|-------------|---------------------------|------|---------|-------------|------------------------|------|
| 1       | 4103.784    | Handle                    | 1    | 18-17   | 4101.666    | Blade                  | 4    |
| 2       | 4103.842    | Upper Shell               | 1    | 18-18   | 4108.590    | Screw, #10-32 x 3/4"   | 2    |
| 3       | 4109.590    | Screw/Lockwasher, 1/2"    | 6    | 19      | 4103.685    | Fan Guard              | 1    |
| 4       | 4104.060    | Combustion Chamber        | 1    | 20      | 4108.486    | Hex locknut            | 2    |
| 5       | 4100.671    | Heat Shield               | 1    | 21      | 4101.152    | Bushing (wires)        | 2    |
| 6       | 4108.510    | Screw, #10-16 x 3/4"      | 2    | 22      | 4110.124    | Screw/Lockwasher, 1/2" | 11   |
| 7       | 4103.537    | Photocell Bracket         | 1    | 23      | 4105.195    | Lower Shell            | 1    |
| 8       | 4103.529    | Screw, #6-32 x 3/8"       | 2    | 24      | 4104.170    | Clip Nut               | 6    |
| 9       | 4103.552    | Photocell Assembly        | 1    | 25      | 4109.580    | Screw, #10-32 x 3/4"   | 1    |
| 10      | S/R         | Power Cord                | 1    | 26      | 4109.633    | Rubber Airline         | 1    |
| 11      | **          | Burner Strap Assembly     | 1    | 27      | 4109.567    | Fuel Line              | 1    |
| 11-1    | 4103.648    | Bracket                   | 1    | 28      | S/R         | Wire Assembly (red)    | 1    |
| 11-2    | 4109.526    | Spark Plug                | 1    | 29      | 4100.541    | Rubber Bushing         | 1    |
| 11-3    | 4109.542    | Nozzle Adapter            | 1    | 30      | 4109.575    | Fuel Filter Assembly   | 1    |
| 11-4    | 4109.518    | Nut, 14mm                 | 1    | 31      | 4106.095    | Electronic Ignitor     | 1    |
| 11-5    | 4100.648    | Nozzle                    | 1    | 32      | 4108.510    | Screw, #10-16 x 3/4"   | 2    |
| 12      | 4105.287    | Power Line RFI Filter     | 1    | 33      | 4103.884    | Terminal Board         | 1    |
| 13      | 4101.151    | Bushing                   | 1    | 34      | N/A         | Rivet                  | 1    |
| 14      | 4150.528    | Strain Relief Bushing     | 1    | 35      | 4104.196    | Flame-Out Control      | 1    |
| 15      | 4103.651    | Fan                       | 1    | 36      | 4103.891    | Fuel Tank Cap          | 1    |
| 16      | 4150.553    | Rubber Bumper             | 2    | 37      | 4105.294    | Fuel Tank              | 1    |
| 17      | 4109.560    | Motor Bracket             | 1    | 38      | 4104.175    | Side Cover             | 1    |
| 18      | **          | Motor and Pump Assembly   | 1    | 39      | 4100.673    | Nut, #10-32            | 3    |
| 18-1    | N/A         | Motor (230V/50Hz)         | 1    | 40      | 4109.592    | Hex Nut                | 1    |
| 18-2    | 4101.532    | Pump Body                 | 1    | 41      | N/A         | Terminal Board Tab Cap | 2    |
| 18-3    | 4108.635    | Insert                    | 1    | 42      | S/R         | Vinyl Foam Gasket      | 1    |
| 18-4    | 4103.441    | Rotor                     | 1    | 43      | 4100.527    | Lock Washer, #10       | 2    |
| 18-5    | 4109.724    | End Pump Cover            | 1    |         |             |                        |      |
| 18-6    | 4109.716    | Lint Filter               | 1    |         |             |                        |      |
| 18-7    | 4109.690    | Intake Filter             | 1    |         |             |                        |      |
| 18-8    | 4109.674    | End Cover                 | 1    |         |             |                        |      |
| 18-9    | 4108.528    | Screw, #10-32 x 1"        | 3    |         |             |                        |      |
| 18-10   | 4108.379    | Steel Ball (1/4" Dia.)    | 1    |         |             |                        |      |
| 18-11   | 4102.141    | Pressure Relief Spring    | 1    |         |             |                        |      |
| 18-12   | 4102.133    | Adjusting Screw           | 1    |         | 4105.292    | Filler Neck Screen     | 1    |
| 18-13   | 4102.125    | Plug                      | 1    |         | 4110.138    | Tradename Decal        | 2    |
| 18-14   | 4109.708    | Output Filter             | 1    |         | S/R         | Combustion Chamber     |      |
| 18-15   | 4108.536    | Screw, #10-32 x 1 1/8"    | 6    |         |             | Ground Wire            | 1    |
| 18-16   | 4101.156    | Elbow, 90° (Barb Fitting) | 1    |         | 4110.150    | Decal Package          | 1    |

S/R = Parts Available by Special Request Only

N/A = Parts Not Available

*This list contains replaceable parts used in your heater. When ordering parts, be sure to provide the correct model and serial numbers (from the model plate), then the part number and description of the desired part.*



**Spareparts MASTER HEATERS**

**MODEL 70 CEA 70,000 Btu/Hr Model**

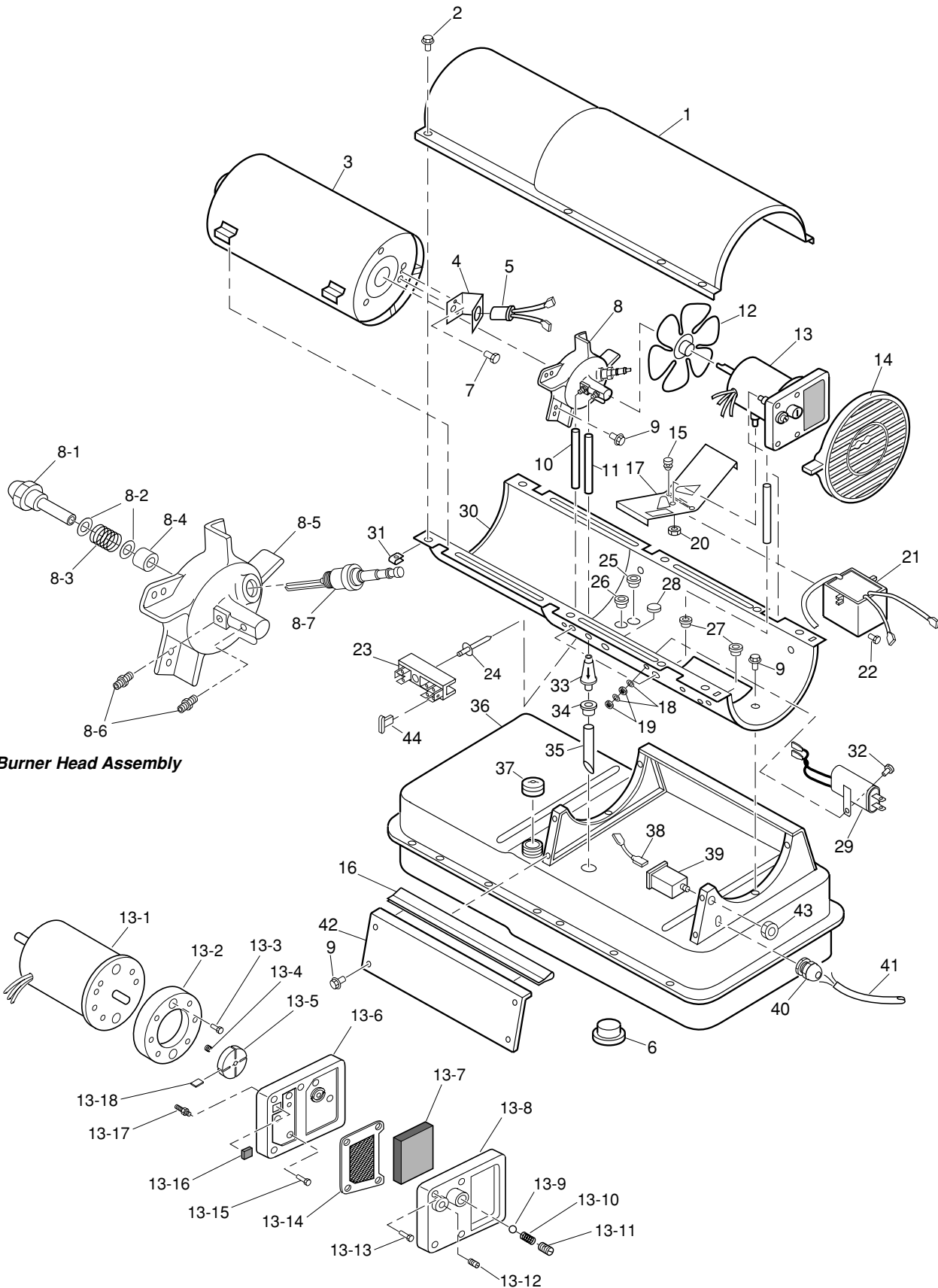
**PARTS LIST**

| <b>Key No.</b> | <b>Part Number</b> | <b>Description</b>      | <b>Qty.</b> | <b>Key No.</b>                     | <b>Part Number</b> | <b>Description</b>        | <b>Qty.</b> |
|----------------|--------------------|-------------------------|-------------|------------------------------------|--------------------|---------------------------|-------------|
| 1              | 4103.784           | Handle                  | 1           | 18-16                              | 4101.156           | Elbow, 90° (Barb Fitting) | 1           |
| 2              | 4103.842           | Upper Shell             | 1           | 18-17                              | 4101.200           | Blade                     | 4           |
| 3              | 4109.590           | Screw/Lockwasher, 1/2"  | 6           | 18-18                              | 4108.588           | Screw, #10-32 x 5/8"      | 2           |
| 4              | 4104.090           | Combustion Chamber      | 1           | 18-19                              | 4101.851           | Capacitor                 | 1           |
| 5              | 4108.510           | Screw, #10-16 x 3/4"    | 2           | 19                                 | 4103.685           | Fan Guard                 | 1           |
| 6              | 4103.537           | Photocell Bracket       | 1           | 20                                 | 4108.486           | Hex locknut               | 2           |
| 7              | 4103.529           | Screw, #6-32 x 3/8"     | 2           | 21                                 | 4101.152           | Bushing (wires)           | 2           |
| 8              | 4103.552           | Photocell Assembly      | 1           | 22                                 | 4105.287           | Power Line RFI Filter     | 1           |
| 9              | S/R                | Power Cord              | 1           | 23                                 | 4105.195           | Lower Shell               | 1           |
| 10             | **                 | Burner Head Assembly    | 1           | 24                                 | 4104.170           | Clip Nut                  | 6           |
| 10-1           | 4103.486           | Nozzle                  | 1           | 25                                 | 4106.179           | Relay, (motor start)      | 1           |
| 10-2           | 4100.525           | Nozzle Seal Washer      | 2           | 26                                 | S/R                | Wire Assembly (red)       | 1           |
| 10-3           | 4100.533           | Nozzle Seal Spring      | 1           | 27                                 | 4109.580           | Screw, #10-32 x 3/4"      | 1           |
| 10-4           | 4101.622           | Nozzle Seal Sleeve      | 1           | 28                                 | 4109.633           | Rubber Airline            | 1           |
| 10-5           | 4109.351           | Burner Head Body        | 1           | 29                                 | 4105.508           | Fuel Line                 | 1           |
| 10-6           | 4106.071           | Barb Fitting            | 2           | 30                                 | N/A                | Wire Assembly (red)       | 1           |
| 10-7           | 4101.846           | Spark Plug              | 1           | 31                                 | 4100.541           | Rubber Bushing            | 1           |
| 11             | 4110.124           | Screw/Lockwasher, 1/2"  | 12          | 32                                 | 4103.875           | Fuel Filter Assembly      | 1           |
| 12             | 4101.151           | Bushing                 | 1           | 33                                 | 4106.095           | Electronic Ignitor        | 1           |
| 13             | 4150.528           | Strain Relief Bushing   | 1           | 34                                 | 4108.510           | Screw, #10-16 x 3/4"      | 2           |
| 14             | 4103.651           | Fan                     | 1           | 35                                 | 4106.110           | Terminal Board            | 1           |
| 15             | 4150.553           | Rubber Bumper           | 2           | 36                                 | N/A                | Rivet                     | 1           |
| 16             | 4108.530           | Screw, #8-32 x 1/4"     | 2           | 37                                 | 4103.891           | Fuel Tank Cap             | 1           |
| 17             | 4109.560           | Motor Bracket           | 1           | 38                                 | 4104.196           | Flame-Out Control         | 1           |
| 18             | **                 | Motor and Pump Assembly | 1           | 39                                 | 4100.643           | Fuel Tank                 | 1           |
| 18-1           | 4109.780           | Motor with capacitor    | 1           | 40                                 | 4104.183           | Side Cover                | 1           |
| 18-2           | 4101.317           | Pump Body               | 1           | 41                                 | 4100.673           | Nut, #10-32               | 3           |
| 18-3           | 4108.635           | Insert                  | 1           | 42                                 | 4109.592           | Hex Nut                   | 1           |
| 18-4           | 4108.627           | Rotor                   | 1           | 43                                 | N/A                | Terminal Board Tab Cap    | 2           |
| 18-5           | 4109.724           | End Pump Cover          | 1           | 44                                 | S/R                | Vinyl Foam Gasket         | 1           |
| 18-6           | 4109.736           | Lint Filter             | 1           | 45                                 | 4100.527           | Lock Washer, #10          | 2           |
| 18-7           | 4109.690           | Intake Filter           | 1           | 46                                 | S/R                | Bushing                   | 1           |
| 18-8           | 4109.674           | End Cover               | 1           | <b>PARTS AVAILABLE - NOT SHOWN</b> |                    |                           |             |
| 18-9           | 4108.528           | Screw, #10-32 x 1"      | 3           |                                    |                    |                           |             |
| 18-10          | 4108.379           | Steel Ball (1/4" Dia.)  | 1           |                                    |                    |                           |             |
| 18-11          | 4102.141           | Pressure Relief Spring  | 1           |                                    | 4105.292           | Filler Neck Screen        | 1           |
| 18-12          | 4102.133           | Adjusting Screw         | 1           |                                    | 4110.138           | Tradename Decal           | 2           |
| 18-13          | 4102.125           | Plug                    | 1           |                                    | S/R                | Combustion Chamber        |             |
| 18-14          | 4109.708           | Output Filter           | 1           |                                    |                    | Ground Wire               | 1           |
| 18-15          | 4108.528           | Screw, #10-32 x 1"      | 6           |                                    | S/R                | Decal Package             | 1           |

S/R = Parts Available by Special Request Only

N/A = Parts Not Available

*This list contains replaceable parts used in your heater. When ordering parts, be sure to provide the correct model and serial numbers (from the model plate), then the part number and description of the desired part.*



**Burner Head Assembly**

**Motor and Pump Assembly**

**Spareparts MASTER HEATERS**

**MODEL 100 CEA 100,000 Btu/Hr Model**

**PARTS LIST**

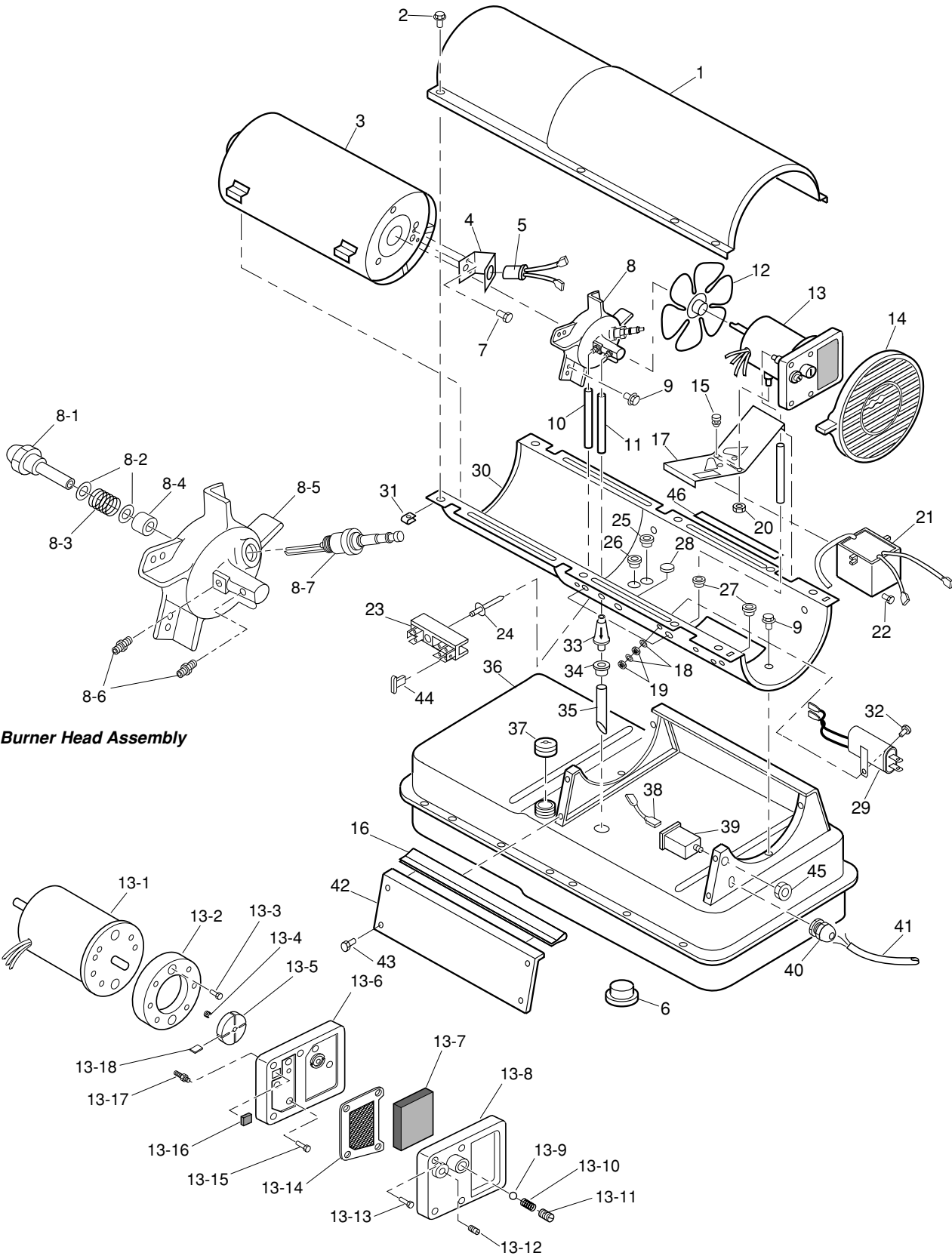
| <b>Key No.</b> | <b>Part Number</b> | <b>Description</b>      | <b>Qty.</b> | <b>Key No.</b> | <b>Part Number</b> | <b>Description</b>     | <b>Qty.</b> |
|----------------|--------------------|-------------------------|-------------|----------------|--------------------|------------------------|-------------|
| 1              | 4104.006           | Upper Shell             | 1           | 16             | 4103.850           | Edge Liner             | 1           |
| 2              | 4109.590           | Screw/Lockwasher, 1/2"  | 8           | 17             | 4110.186           | Motor Bracket          | 1           |
| 3              | 4101.180           | Combustion Chamber      | 1           | 18             | 4100.527           | Lock Washer, #10       | 2           |
| 4              | 4103.537           | Photocell Bracket       | 1           | 19             | 4100.673           | Nut, #10-32            | 3           |
| 5              | 4103.552           | Photocell Assembly      | 1           | 20             | 4108.486           | Hex locknut            | 2           |
| 6              | 4100.632           | Drain Plug              | 1           | 21             | 4106.095           | Electronic Ignitor     | 1           |
| 7              | 4103.529           | Screw, #6-32 x 3/8"     | 2           | 22             | 4108.510           | Screw, #10-16 x 3/4"   | 2           |
| 8              | **                 | Burner Head Assembly    | 1           | 23             | 4103.884           | Terminal Board         | 1           |
| 8-1            | 4103.559           | Nozzle                  | 1           | 24             | N/A                | Rivet                  | 1           |
| 8-2            | 4100.525           | Nozzle Seal Washer      | 2           | 25             | 4101.112           | Bushing                | 1           |
| 8-3            | 4100.533           | Nozzle Seal Spring      | 1           | 26             | 4101.112           | Bushing                | 1           |
| 8-4            | 4101.622           | Nozzle Seal Sleeve      | 1           | 27             | 4101.232           | Bushing                | 2           |
| 8-5            | 4109.352           | Burner Head Body        | 1           | 28             | 4110.070           | Button Plug            | 1           |
| 8-6            | 4104.118           | Barb Fitting            | 2           | 29             | 4105.287           | Power Line RFI Filter  | 1           |
| 8-7            | 4101.846           | Spark Plug              | 1           | 30             | 4108.126           | Lower Shell            | 1           |
| 9              | 4110.124           | Screw/Lockwasher, 1/2"  | 13          | 31             | 4104.170           | Clip Nut               | 8           |
| 10             | 4104.147           | Air Line                | 1           | 32             | 4109.580           | Screw, #10-32 x 3/4"   | 1           |
| 11             | 4110.032           | Fuel Line               | 1           | 33             | 4100.630           | Fuel filter            | 1           |
| 12             | 4105.062           | Fan                     | 1           | 34             | 4100.541           | Rubber Bushing         | 1           |
| 13             | **                 | Motor and Pump Assembly | 1           | 35             | 4110.147           | Fuel Line              | 1           |
| 13-1           | 4108.550           | Motor with capacitor    | 1           | 36             | 4105.298           | Fuel Tank              | 1           |
| 13-2           | 4101.317           | Pump Body               | 1           | 37             | 4103.891           | Fuel Tank Cap          | 1           |
| 13-3           | 4108.588           | Screw, #10-32 x 5/8"    | 2           | 38             | N/A                | Wire Assembly (red)    | 1           |
| 13-4           | 4108.635           | Insert                  | 1           | 39             | 4104.196           | Flame-Out Control      | 1           |
| 13-5           | 4108.627           | Rotor                   | 1           | 40             | 4150.528           | Strain Relief Bushing  | 1           |
| 13-6           | 4101.325           | End Pump Cover          | 1           | 41             | S/R                | Power Cord             | 1           |
| 13-7           | 4101.358           | Intake Filter           | 1           | 42             | 4104.183           | Side Cover             | 1           |
| 13-8           | 4108.643           | End Cover               | 1           | 43             | 4109.592           | Hex Nut                | 1           |
| 13-9           | 4108.379           | Steel Ball (1/4" Dia.)  | 1           | 44             | N/A                | Terminal Board Tab Cap | 2           |
| 13-10          | 4102.141           | Pressure Relief Spring  | 1           |                |                    |                        |             |
| 13-11          | 4102.133           | Adjusting Screw         | 1           |                |                    |                        |             |
| 13-12          | 4102.125           | Plug                    | 1           |                |                    |                        |             |
| 13-13          | 4108.528           | Screw, #10-32 x 1"      | 4           |                |                    |                        |             |
| 13-14          | 4101.341           | Output Filter           | 1           |                |                    |                        |             |
| 13-15          | 4108.528           | Screw, #10-32 x 1"      | 6           |                |                    |                        |             |
| 13-16          | 4101.333           | Lint Filter             | 1           |                |                    |                        |             |
| 13-17          | 4104.118           | Barb Fitting            | 1           |                | 4105.292           | Filler Neck Screen     | 1           |
| 13-18          | 4101.200           | Blade                   | 4           |                | 4110.138           | Tradename Decal        | 2           |
| 14             | 4103.695           | Fan Guard               | 1           |                | S/R                | Combustion Chamber     |             |
| 15             | 4150.553           | Rubber Bumper           | 2           |                | S/R                | Ground Wire            | 1           |
|                |                    |                         |             |                |                    | Decal Package          | 1           |

**PARTS AVAILABLE - NOT SHOWN**

S/R = Parts Available by Special Request Only

N/A = Parts Not Available

*This list contains replaceable parts used in your heater. When ordering parts, be sure to provide the correct model and serial numbers (from the model plate), then the part number and description of the desired part.*



**Burner Head Assembly**

**Motor and Pump Assembly**

**Spareparts MASTER HEATERS**

**MODEL 150 CEA 150,000 Btu/Hr Model**

**PARTS LIST**

| <b>Key No.</b> | <b>Part Number</b> | <b>Description</b>      | <b>Qty.</b> | <b>Key No.</b>                     | <b>Part Number</b> | <b>Description</b>     | <b>Qty.</b> |
|----------------|--------------------|-------------------------|-------------|------------------------------------|--------------------|------------------------|-------------|
| 1              | 4104.006           | Upper Shell             | 1           | 15                                 | 4150.553           | Rubber Bumper          | 2           |
| 2              | 4109.590           | Screw/Lockwasher, 1/2"  | 8           | 16                                 | 4103.850           | Edge Liner             | 1           |
| 3              | 4104.088           | Combustion Chamber      | 1           | 17                                 | 4110.186           | Motor Bracket          | 1           |
| 4              | 4103.537           | Photocell Bracket       | 1           | 18                                 | 4100.527           | Lock Washer, #10       | 2           |
| 5              | 4103.552           | Photocell Assembly      | 1           | 19                                 | 4100.673           | Nut, #10-32            | 3           |
| 6              | 4100.632           | Drain Plug              | 1           | 20                                 | 4108.486           | Hex locknut            | 2           |
| 7              | 4103.529           | Screw, #6-32 x 3/8"     | 2           | 21                                 | 4106.095           | Electronic Ignitor     | 1           |
| 8              | **                 | Burner Head Assembly    | 1           | 22                                 | 4108.510           | Screw, #10-16 x 3/4"   | 2           |
| 8-1            | 4103.898           | Nozzle                  | 1           | 23                                 | 4103.884           | Terminal Board         | 1           |
| 8-2            | 4100.525           | Nozzle Seal Washer      | 2           | 24                                 | N/A                | Rivet                  | 1           |
| 8-3            | 4100.533           | Nozzle Seal Spring      | 1           | 25                                 | 4101.112           | Bushing                | 1           |
| 8-4            | 4101.622           | Nozzle Seal Sleeve      | 1           | 26                                 | 4101.112           | Bushing                | 1           |
| 8-5            | 4105.187           | Burner Head Body        | 1           | 27                                 | 4101.232           | Bushing                | 2           |
| 8-6            | 4104.118           | Barb Fitting            | 2           | 28                                 | 4110.070           | Button Plug            | 1           |
| 8-7            | 4101.846           | Spark Plug              | 1           | 29                                 | 4105.287           | Power Line RFI Filter  | 1           |
| 9              | 4110.124           | Screw/Lockwasher, 1/2"  | 13          | 30                                 | 4108.126           | Lower Shell            | 1           |
| 10             | 4104.156           | Air Line                | 1           | 31                                 | 4104.170           | Clip Nut               | 8           |
| 11             | 4110.032           | Fuel Line               | 1           | 32                                 | 4109.580           | Screw, #10-32 x 3/4"   | 1           |
| 12             | 4105.062           | Fan                     | 1           | 33                                 | 4100.630           | Fuel filter            | 1           |
| 13             | **                 | Motor and Pump Assembly | 1           | 34                                 | 4100.541           | Rubber Bushing         | 1           |
| 13-1           | 4108.550           | Motor with capacitor    | 1           | 35                                 | 4101.262           | Fuel Line              | 1           |
| 13-2           | 4101.532           | Pump Body               | 1           | 36                                 | 4105.299           | Fuel Tank              | 1           |
| 13-3           | 4108.588           | Screw, #10-32 x 5/8"    | 2           | 37                                 | 4103.891           | Fuel Tank Cap          | 1           |
| 13-4           | 4108.635           | Insert                  | 1           | 38                                 | N/A                | Wire Assembly (red)    | 1           |
| 13-5           | 4103.441           | Rotor                   | 1           | 39                                 | 4104.196           | Flame-Out Control      | 1           |
| 13-6           | 4101.325           | End Pump Cover          | 1           | 40                                 | 4150.528           | Strain Relief Bushing  | 1           |
| 13-7           | 4101.358           | Intake Filter           | 1           | 41                                 | S/R                | Power Cord             | 1           |
| 13-8           | 4108.643           | End Cover               | 1           | 42                                 | 4104.183           | Side Cover             | 1           |
| 13-9           | 4108.379           | Steel Ball (1/4" Dia.)  | 1           | 43                                 | 4110.124           | Screw Hex Head         | 4           |
| 13-10          | 4102.141           | Pressure Relief Spring  | 1           | 44                                 | N/A                | Terminal Board Tab Cap | 2           |
| 13-11          | 4102.133           | Adjusting Screw         | 1           | 45                                 | 4109.592           | Hex Nut                | 1           |
| 13-12          | 4102.125           | Plug                    | 1           | <b>PARTS AVAILABLE - NOT SHOWN</b> |                    |                        |             |
| 13-13          | 4108.528           | Screw, #10-32 x 1"      | 4           |                                    | 4105.292           | Filler Neck Screen     | 1           |
| 13-14          | 4101.341           | Output Filter           | 1           |                                    | 4110.138           | Tradenname Decal       | 2           |
| 13-15          | 4108.536           | Screw, #10-32 x 1 1/8"  | 6           |                                    | S/R                | Combustion Chamber     |             |
| 13-16          | 4101.333           | Lint Filter             | 1           |                                    |                    | Ground Wire            | 1           |
| 13-17          | 4104.118           | Barb Fitting            | 1           |                                    | S/R                | Decal Package          | 1           |
| 13-18          | 4101.200           | Blade                   | 4           |                                    |                    |                        |             |
| 14             | 4103.695           | Fan Guard               | 1           |                                    |                    |                        |             |

S/R = Parts Available by Special Request Only

N/A = Parts Not Available

*This list contains replaceable parts used in your heater. When ordering parts, be sure to provide the correct model and serial numbers (from the model plate), then the part number and description of the desired part.*