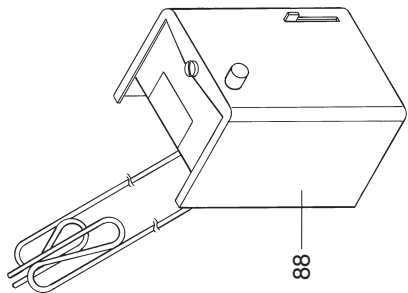
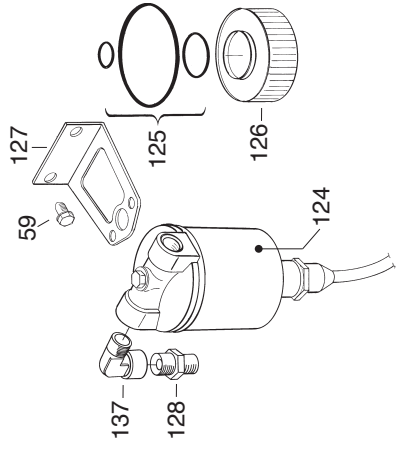
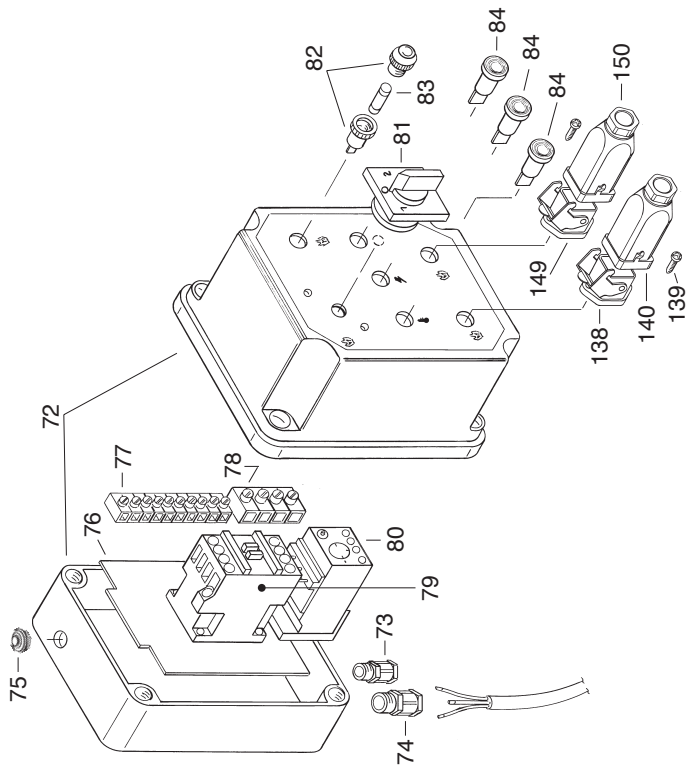


L

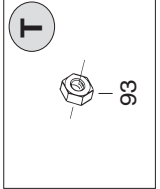
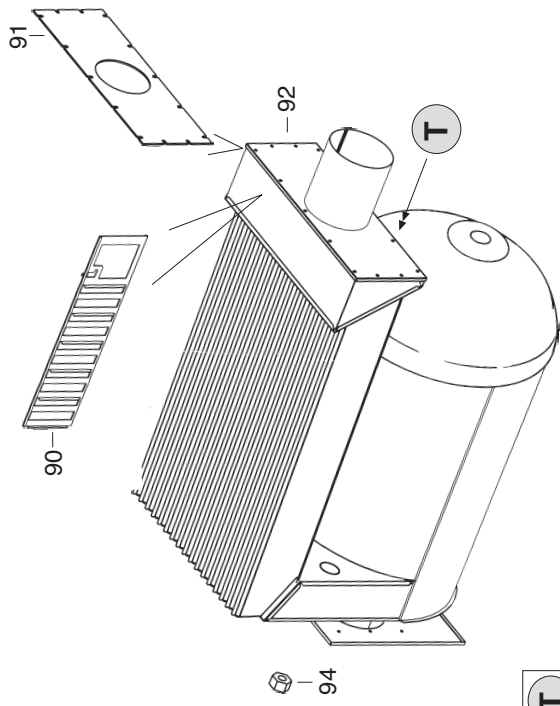


H

Optional (2)  
 Filtro gasolio con preriscaldio  
 Filtre gasoil pre-chauffage  
 Heizölvorwärmfilter - Oil pre-heaters filter



89 (90/91/92/93)



## MASTER HIGH OUTPUT INDIRECT HEATERS BV 460 E

| Pos. | Code NR  | Description                       |
|------|----------|-----------------------------------|
| 1    | 4031.342 | Burner casing                     |
| 2    | 4031.343 | Burner casing top cover           |
| 3    | S/R      | Burner panel                      |
| 4    | 4031.890 | Outlet air panel Ø584             |
| 5    | S/R      | Front upper panel                 |
| 6    | S/R      | Inner panel                       |
| 7    | S/R      | Rear upper panel                  |
| 8    | S/R      | Inner panel                       |
| 9    | S/R      | Side panel                        |
| 10   | S/R      | Inner panel                       |
| 11   | 4032.221 | Chimney flange Ø200               |
| 12   | S/R      | Chimney panel                     |
| 14   | 4032.016 | Motor support plate               |
| 15   | 4032.222 | Bottom panel                      |
| 16   | 4031.344 | Wheels axle                       |
| 17   | 4031.183 | Front support                     |
| 18   | 4031.331 | Aluminum joint with nut M10       |
| 19   | S/R      | Upper short angle steel           |
| 20   | S/R      | Upper long SX angle steel         |
| 21   | S/R      | Upper long DX angle steel         |
| 22   | S/R      | Vertical front SX angle steel     |
| 23   | S/R      | Vertical front DX angle steel     |
| 24   | S/R      | Vertical back SX angle steel      |
| 25   | S/R      | Vertical back DX angle steel      |
| 26   | S/R      | Lower short angle steel           |
| 27   | S/R      | Lower long SX angle steel         |
| 28   | S/R      | Lower long DX angle steel         |
| 29   | S/R      | Comb. chamber support             |
| 30   | S/R      | Comb. chamber SX support          |
| 31   | S/R      | Comb. chamber DX support          |
| 32   | 4032.161 | Aluminum joint                    |
| 33   | 4013.227 | 4 Ways Ø275 panel                 |
| 34   | S/R      | Fan support panel                 |
| 51   | 4031.332 | Suspending ring screw M10         |
| 52   | 4032.028 | Burner support (Minor 20-Blu 170) |
| 53   | 4031.201 | Burner plate seal 210x210x5       |
| 54   | 4140.675 | Screw TC 8x1"                     |
| 56   | 4031.386 | Wheel Ø250                        |
| 58   | 4032.089 | Screw TE M8x25                    |
| 59   | 4032.040 | Screw TE14x1/2" FR                |
| 61   | 4032.107 | Screw TC M6x16 F.R.               |
| 62   | 4031.345 | Motor HP 1,5 V.230/50 1Ph         |
| 63   | 4031.346 | Condenser mF 32                   |
| 64   | 4032.047 | Screw TE M8x30                    |
| 65   | 4140.668 | Washer Ø8xØ24x2,5                 |
| 66   | 4140.669 | Spring washer Ø8                  |
| 67   | 4140.671 | Nut M8                            |

## MASTER HIGH OUTPUT INDIRECT HEATERS BV 460 E

| Pos. | Code NR  | Description                  |
|------|----------|------------------------------|
| 68   | 4031.347 | Fan Ø560                     |
| 69   | 4032.169 | Screw TE M10x20              |
| 70   | 4032.043 | Spring washer Ø10            |
| 71   | 4032.046 | Washer Ø11xØ35x2             |
| 72   | 4031.355 | El. components box           |
| 73   | 4032.053 | Cable fastener PG 9          |
| 74   | 4032.052 | Cable fastener PG 11         |
| 75   | 4162.101 | Cable protection Ø18         |
| 76   | 4032.054 | El. components support plate |
| 77   | 4032.055 | Terminal board 12 el. mmq 6  |
| 78   | 4032.056 | Terminal board 12 el. mmq 10 |
| 79   | 4031.334 | Contacteur Wimex KN16 V220   |
| 80   | 4032.061 | Relay Iskra TRB14 A. 6-10    |
| 81   | 4031.268 | Control Knob 1-0-2           |
| 82   | 4031.902 | Fuse holder                  |
| 83   | 4031.102 | Fuse (5x20) A. 6             |
| 84   | 4031.169 | Red pilot lamp Ø12 V230      |
| 88   | 4031.194 | Bithermostat                 |
| 89   | 4032.069 | Combustion chamber           |
| 90   | 4032.070 | Baffle plate                 |
| 91   | 4032.072 | Chimney seal 513x248x5       |
| 92   | 4032.074 | Chimney cover                |
| 93   | 4032.075 | Nut M6 OT                    |
| 94   | 4032.076 | Female plug 1"               |
| 124  | 4032.100 | Oil pre-heaters filter 3/8"  |
| 125  | 4111.116 | OR KIT filter                |
| 126  | 4031.179 | Filter cartridge             |
| 127  | 4031.122 | Filter support               |
| 128  | 4032.104 | Nipple 3/8"- 1/4"            |
| 130  | 4031.177 | Wheel holder Ø25             |
| 131  | 4031.178 | Plastic plug                 |
| 134  | S/R      | Inlet grille                 |
| 137  | S/R      | Connection 3/8"              |
| 138  | 4032.108 | Thermostat plug 3P + T       |
| 139  | 4032.109 | Screw TC 4x1/2"              |
| 140  | 4031.089 | Plate plug 3P + T            |
| 149  | S/R      | Thermostat plug 4P + T       |
| 150  | 4031.087 | Plate plug 4P + T            |

S/R = Parts available by special request only